

<b>Version</b>	Worktop - 75 cm - Black matt/white LED - 800 m <sup>3</sup> /h
<b>Design</b>	Falmec Lab
<b>Collection</b>	Cooking

## TECHNICAL FEATURES

<b>Materials/Finishes</b>	Black matt glass ceramic
<b>Features</b>	<ul style="list-style-type: none"> <li>Motorized flap system</li> <li>Timer / minute minder</li> <li>Automode (suction speed automatically adjusts to cooking power)</li> <li>Grease and odour filter basket with liquid collection tray</li> <li>Flex Surface technology</li> <li>Motor position adjustment system to optimise cabinet space</li> </ul>
<b>Control</b>	<ul style="list-style-type: none"> <li>"Touch slider" control</li> <li>9 cooking levels + boost</li> </ul>
<b>Function</b>	Extracting/Filtering
<b>Filters</b>	<ul style="list-style-type: none"> <li>Metallic grease filter, removable and washable</li> <li>Carbon.Zeo Microtech regenerable filter (optional)</li> </ul>
<b>Power</b>	Power level management from 2.8kW to 7.4kW
<b>Motor</b>	Brushless Motor
<b>Dimensions</b>	75 cm
<b>Cooking Functions</b>	<ul style="list-style-type: none"> <li>Residual heat indicators</li> <li>Recall function</li> <li>Keep warm function (44°)</li> <li>Automatic pot detection</li> <li>Automatic cut-off timer (for each cooking zone)</li> <li>Safety switch-off / safety lock function</li> <li>Pause function</li> <li>Chef function</li> <li>Bridge function</li> </ul>



Photograph is for information purposes only. May not correspond to the selected version

## CONNECTION AND CONSUMPTION FUNCTIONS

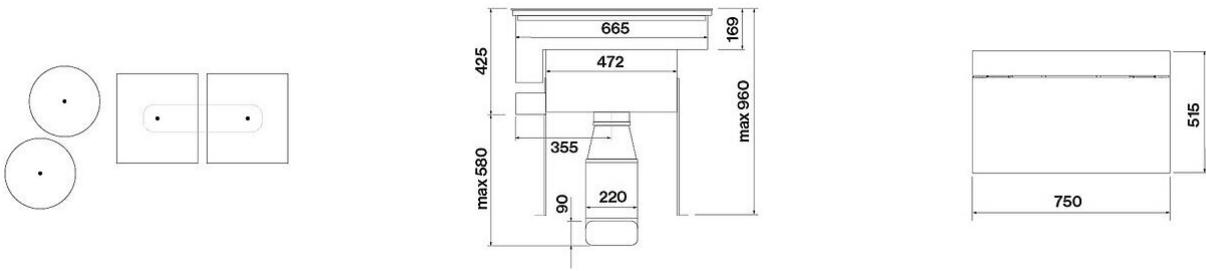
<b>Maximum consumption</b>	7560 W
<b>Voltage/Frequency</b>	220-240V 50-60Hz

## MOTOR

<b>Motor</b>	Brushless Motor 800 m <sup>3</sup> /h
<b>Maximum capacity</b>	690 m <sup>3</sup> /h I.E.C.61591
<b>Maximum sound level</b>	65 dB (A)re1pW I.E.C. 60704-2-13
<b>Energy class</b>	A+++

## WEIGHTS AND VOLUMES

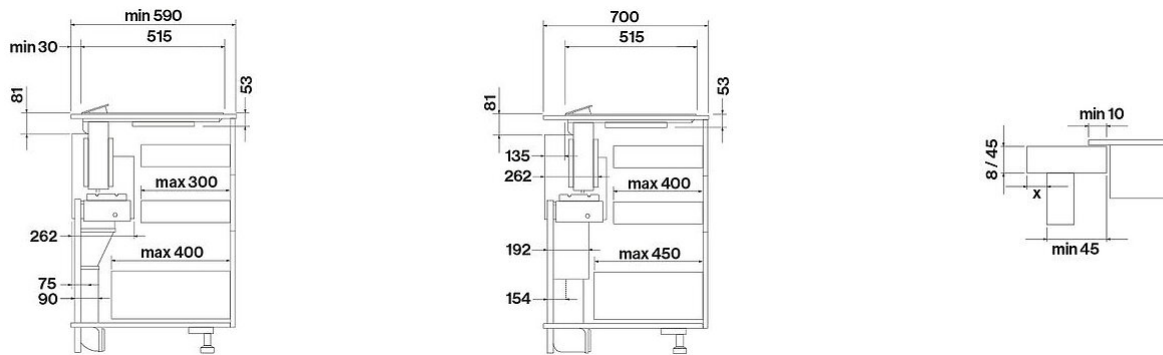
<b>Gross weight</b>	35.5 kg
<b>Net weight</b>	30.3 kg
<b>Volume</b>	0.29 m <sup>3</sup>
<b>Packaging dimensions</b>	L 980 x H 482 x P 615 mm



Cooking zones layout

Frontal view

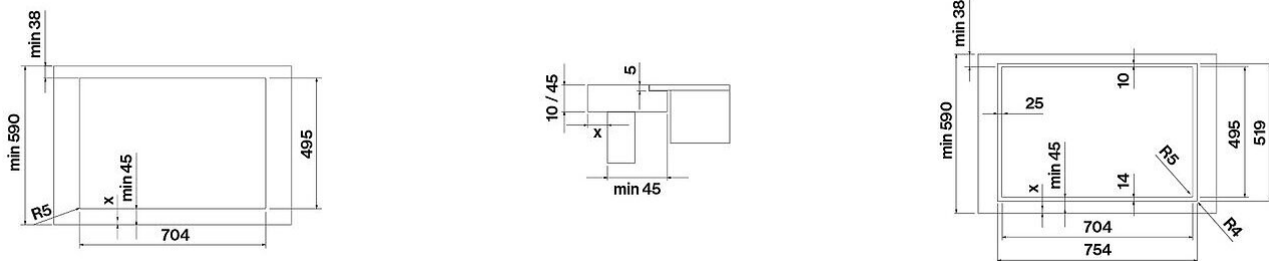
Top view



Side view with motor in front position

Side view with motor in rear position

Topmounted installation



Hole dimensions

Flushmounted installation

Hole dimensions

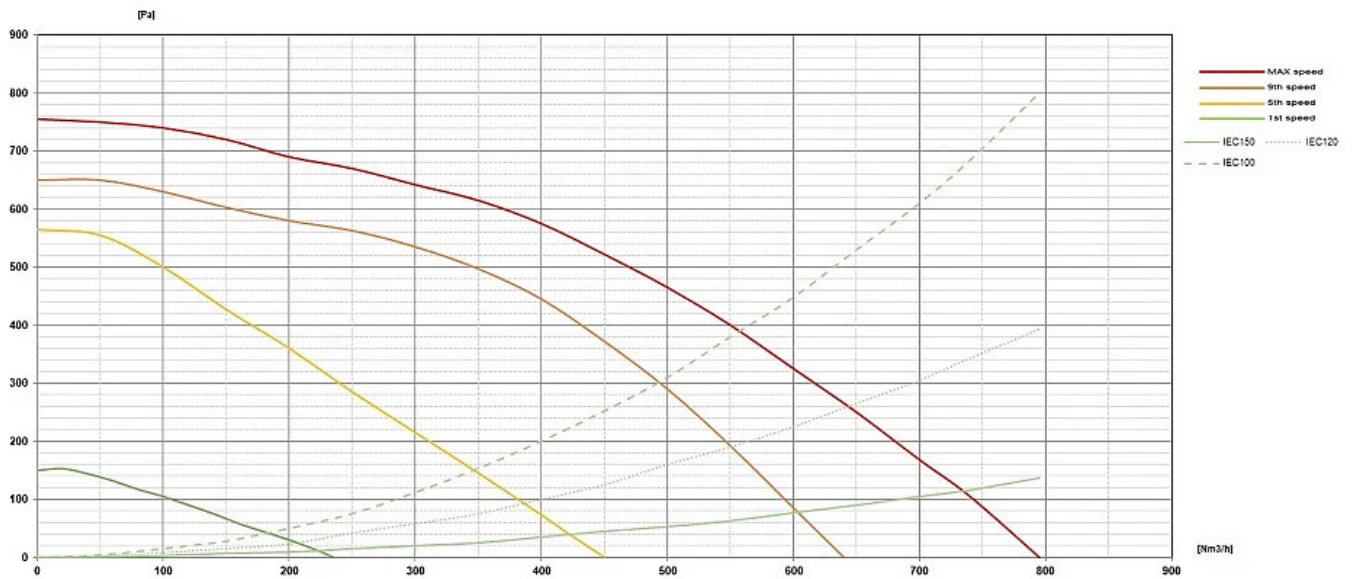
**Optional accessories**

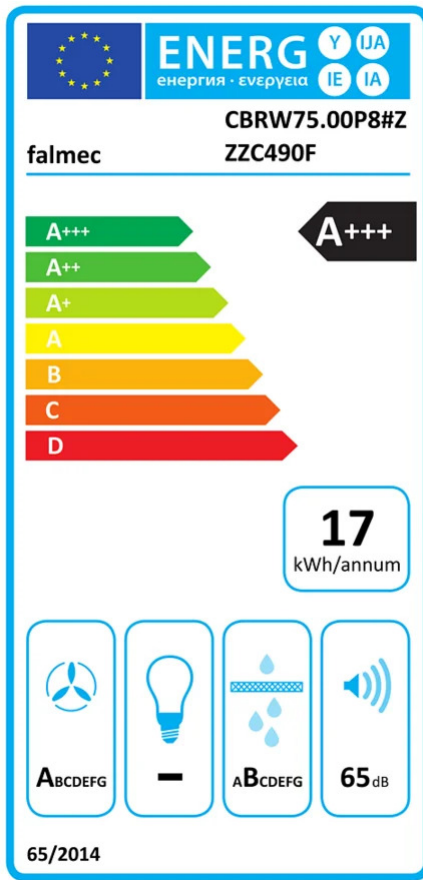
Code	Description
KACL.1026	Silence Kit
KACL.1037	Carbon.Zeo Microtech regenerable filter (1x)

## ENGINE SPECIFICATIONS

Motor speed	1	5	9	10
Noise dB(A) re1pW I.E.C. 60704-2-13	44	57	65	66
Capacity	254	460	640	690
Maximum pressure (Pa)	200	650	670	680
Motor power (W)	11	50	110	150
Air outlet	150	150	150	150

## FLOW RATE / PRESSURE





PF		
S	Falmecc Lab	
M	Worktop - 75 cm - Black matt/white LED - 800 m3/h	
AEC	16.50	kWh/a
EEC	A+++	
FDE	43.40	
FDEC	A	
LE	0.00	
LEC		
GFE	87	
GFEC	B	
Qmin	254	m <sup>3</sup> /h
Qmax	640	m <sup>3</sup> /h
Qboost	690	m <sup>3</sup> /h
SPEmin	44	dBa
SPEmax	65	dBa
SPEboost	66	dBa
PO		
PS	0.48	W

PI		
F	0.40	
EEL	21.30	
Qbep	384	m <sup>3</sup> /h
Pbep	460	Pa
Qboost	690	m <sup>3</sup> /h
Wbep	113	W

PF\_Scheda prodotto conforme a 65/2014 S\_Supplier name / M\_Model identification / AEC\_Annual Energy Consumption (AEC hood) / EEC\_Energy Efficiency class / FDE\_Fluid Dynamic Efficiency (FDE hood) / FDEC\_Fluid Dynamic Efficiency class / LE\_Lighting Efficiency (LE hood) / LEC\_Lighting Efficiency class / GFE\_Grease Filtering Efficiency / GFEC\_Grease Filtering Efficiency class / Qmin\_Air flow (in m<sup>3</sup>/h) at min speed in normal use / Qmax\_Air flow (in m<sup>3</sup>/h) at max speed in normal use / Qboost\_Air flow (in m<sup>3</sup>/h) at intensive or boost setting (max air-flow) / SPEmin\_Airborne acoustical A-weighted sound power emissions at min speed in normal use / SPEmax\_Airborne acoustical A-weighted sound power emissions at max speed in normal use / SPEboost\_Airborne acoustical A-weighted sound power emissions (in dB) at intensive or boost setting / P0\_Power consumption in off mode (Po) / Ps\_Power consumption in stand by mode (Ps).

PI\_Additional information according to 66/2014 Calculation methods: EN 61591:2020 F\_Time increase factor / EEL\_Energy Efficiency Index / Qbep\_Measured air flow rate at best efficiency point / Pbep\_Measured air pressure at best efficiency point / Qboost\_Maximum air flow / Wbep\_Measured electric power input at best efficiency point / WL\_Nominal power of the lighting system / Emiddle\_Average illumination of the lighting system on the cooking surface / Lwa=SPEmax\_Sound pressure level at the highest speed.