

<i>Version</i>	Ceiling - 140 cm - LED - White
<i>Design</i>	Falmec Lab
<i>Collection</i>	Design

TECHNICAL FEATURES

<i>Materials/Finishes</i>	Painted white steel
<i>Materials/Finishes</i>	Glass
<i>Features</i>	Perimeter suction Diffuse illumination
<i>Control</i>	Electronic control Remote control included Dialogue system
<i>Function</i>	Extracting/Filtering
<i>Lighting</i>	Dimmable lighting Dynamic Light (2700K - 5600K) Strip LED - 2700 K / 5600 K
<i>Filters</i>	Metallic grease filter, removable and washable Combined regenerable Carbon.Zeo filter (optional) Carbon.Zeo Microtech regenerable filter (optional)
<i>Motor</i>	Motor sold separately
<i>Dimensions</i>	140 cm
<i>Maximum Electric hob distance</i>	150 cm
<i>Maximum Gas hob distance</i>	150 cm
<i>Notes</i>	Cut-out size: 590 x 1325 mm



Photograph is for information purposes only. May not correspond to the selected version

CONNECTION AND CONSUMPTION FUNCTIONS

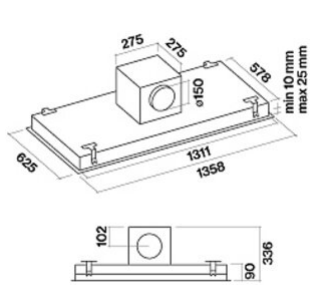
<i>Maximum consumption</i>	50 W
<i>Voltage/Frequency</i>	220-240V 50-60Hz
<i>Plug</i>	Schuko

MOTOR

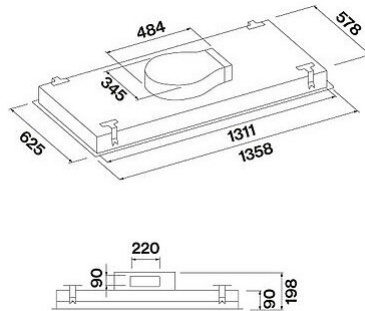
<i>Motor</i>	Slim motor 800 m ³ /h Remote under-roof motor 950 m ³ /h
<i>Maximum capacity</i>	695 m ³ /h I.E.C. 61591
<i>Maximum sound level</i>	62 dB (A)re1pW I.E.C. 60704-2-13
<i>Energy class</i>	C

WEIGHTS AND VOLUMES

<i>Gross weight</i>	45.4 kg
<i>Net weight</i>	40.1 kg
<i>Volume</i>	0.22 m ³
<i>Packaging dimensions</i>	L 1455 x H 212 x P 730 mm



Nuvola Led 140 - under roof motor

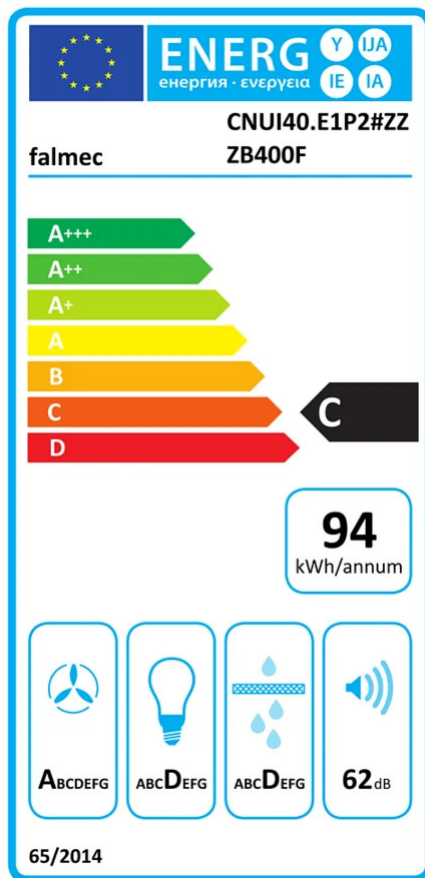


Nuvola Led 140 - slim motor

Optional accessories

Code	Description
KACL.1050	Carbon.Zeo Microtech regenerable filter for "plug and play installation" (ceiling hoods over L100 cm) (2x)
KACL.782#49F	Slim motor 800 m3/h
KACL.798#41F	Remote under-roof motor 950 m3/h
KACL.786#41F	Outdoor extractor fan 1000 m3/h
KACL.796#4AF	Outdoor extractor fan 1500 m3/h
KACL.797#4AF	Remote under-roof motor 1300 m3/h
KACL.939#BF	Carbon.Zeo filter unit kit for ceiling (horizontal outlet)
KACL.928	Filter spare part Carbon.Zeo (for horizontal outlet)
KACL.953#BF	Carbon.Zeo filter unit kit for ceiling (vertical outlet)
KACL.931	Filter spare part Carbon.Zeo (for vertical outlet and under base kit h100 mm)
KACL.789	Ceiling hood connection for rectangular pipes
KACL.398	Flange - Ø150
KACL.396	Flange - Ø200
KACL.1064#BF	Grid for air outlet for ceiling hoods with "plug and play" filters - White

REMOTE UNDER-ROOF MOTOR 950 M3/H



PF		
S	Falmec Lab	
M	Remote under-roof motor 950 m3/h	
AEC	93.80	kWh/a
EEC	C	
FDE	28.10	
FDEC	A	
LE	14.10	
LEC	D	
GFE	65.1	
GFEC	D	
Qmin	365	m ³ /h
Qmax	600	m ³ /h
Qboost	695	m ³ /h
SPEmin	48	dBa
SPEmax	62	dBa
SPEboost	66	dBa
PO		
PS	0.48	W
PI		
F	1.00	
EEL	72.60	
Qbep	384	m ³ /h
Pbep	414	Pa
Qboost	695	m ³ /h
Wbep	157	W
WL	50.00	W
Emiddle	705	lux
Lwa-SPEmax	62	dBa

SLIM MOTOR 800 M3/H

PF		
S	Slim motor 800 m3/h	
M	Slim motor 800 m3/h	
AEC	81.9	kWh/a
EEC	C	
FDE	24.2	
FDEC	B	
LE	14.1	
LEC	D	
GFE	65.1	
GFEC	D	
Qmin	245	m ³ /h
Qmax	470	m ³ /h
Qboost	540	m ³ /h
SPEmin	52	dBa
SPEmax	63	dBa
SPEboost	66	dBa
PO	0	W
PS	0.48	W
PI		
F	1.1	
EEL	78	
Qbep	332	m ³ /h
Pbep	297	Pa
Qboost	540	m ³ /h
Wbep	113	W
WL	50	W
Emiddle	705	lux
Lwa-SPEmax		dBa

PF_Scheda prodotto conforme a 65/2014 S_Supplier name / M_Model identification / AEC_Annual Energy Consumption (AEC hood) / EEC_Energy Efficiency class / FDE_Fluid Dynamic Efficiency (FDE hood) / FDEC_Fluid Dynamic Efficiency class / LE_Lighting Efficiency (LE hood) / LEC_Lighting Efficiency class / GFE_Grease Filtering Efficiency / GFEC_Grease Filtering Efficiency class / Qmin_Air flow (in m³/h) at min speed in normal use / Qmax_Air flow (in m³/h) at max speed in normal use / Qboost_Air flow (in m³/h) at intensive or boost setting (max air-flow) / SPEmin_Airborne acoustical A-weighted sound power emissions at min speed in normal use / SPEmax_Airborne acoustical A-weighted sound power emissions at max speed in normal use / SPEboost_Airborne acoustical A-weighted sound power emissions (in dB) at intensive or boost setting / P0_Power consumption in off mode (Po) / Ps_Power consumption in stand by mode (Ps).

PI_Additional information according to 66/2014 Calculation methods: EN 61591:2020 F_Time increase factor / EEL_Energy Efficiency Index / Qbep_Measured air flow rate at best efficiency point / Pbep_Measured air pressure at best efficiency point / Qboost_Maximum air flow / Wbep_Measured electric power input at best efficiency point / WL_Nominal power of the lighting system / Emiddle_Average illumination of the lighting system on the cooking surface / Lwa=SPEmax_Sound pressure level at the highest speed.