

*Version* Lateral module - 90 cm  
*Collection* Elements

**TECHNICAL FEATURES**

*Materials/Finishes* Aluminium finishing black matt  
*Materials/Finishes* Smoked tempered glass  
*Function* Extracting/Filtering  
*Lighting* Strip LED - 2700 K / 5600 K

**CONNECTION AND CONSUMPTION FUNCTIONS**

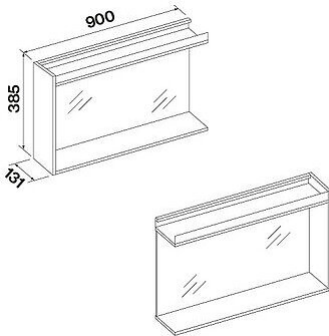
*Maximum consumption* 10 W  
*Voltage/Frequency*

**MOTOR**

*Motor*  
*Maximum capacity*  
*Maximum sound level*  
*Energy class*

**WEIGHTS AND VOLUMES**

*Gross weight* 8 kg  
*Net weight* 7 kg  
*Volume* 0 m<sup>3</sup>  
*Packaging dimensions* L 700 x H 207 x P 235 mm



***FLOW RATE / PRESSURE***