

Version	Island - 90 cm - Black - 800 m ³ /h
Design	Falmec Lab
Collection	Design

TECHNICAL FEATURES

Materials/Finishes	Scotch brite stainless steel (AISI 304)
Materials/Finishes	Black tempered glass
Control	Touch control
Function	Extracting/Filtering
Lighting	Neon lighting Neon 2x21 W
Filters	Top filter, removable and washable Charcoal filter
Dimensions	90 cm
Minimum Electric hob distance	52 cm
Minimum Gas hob distance	63 cm
Notes	Water, like air, is a fluid transparent and vital element. Falmec transfers its experience from one element to the other, presenting a range of solutions for the use of water in the kitchen.



Photograph is for information purposes only. May not correspond to the selected version

CONNECTION AND CONSUMPTION FUNCTIONS

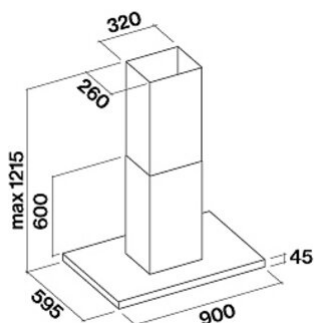
Maximum consumption	320 W
Voltage/Frequency	220-240V 50-60Hz
Plug	Shuko

MOTOR

Motor	800 m ³ /h
Maximum capacity	680 m ³ /h I.E.C.61591
Maximum sound level	62 dB (A)re1pW I.E.C. 60704-2-13
Energy class	C

WEIGHTS AND VOLUMES

Gross weight	38 kg
Net weight	32 kg
Volume	0.34 m ³
Packaging dimensions	L 1035 x H 452 x P 740 mm



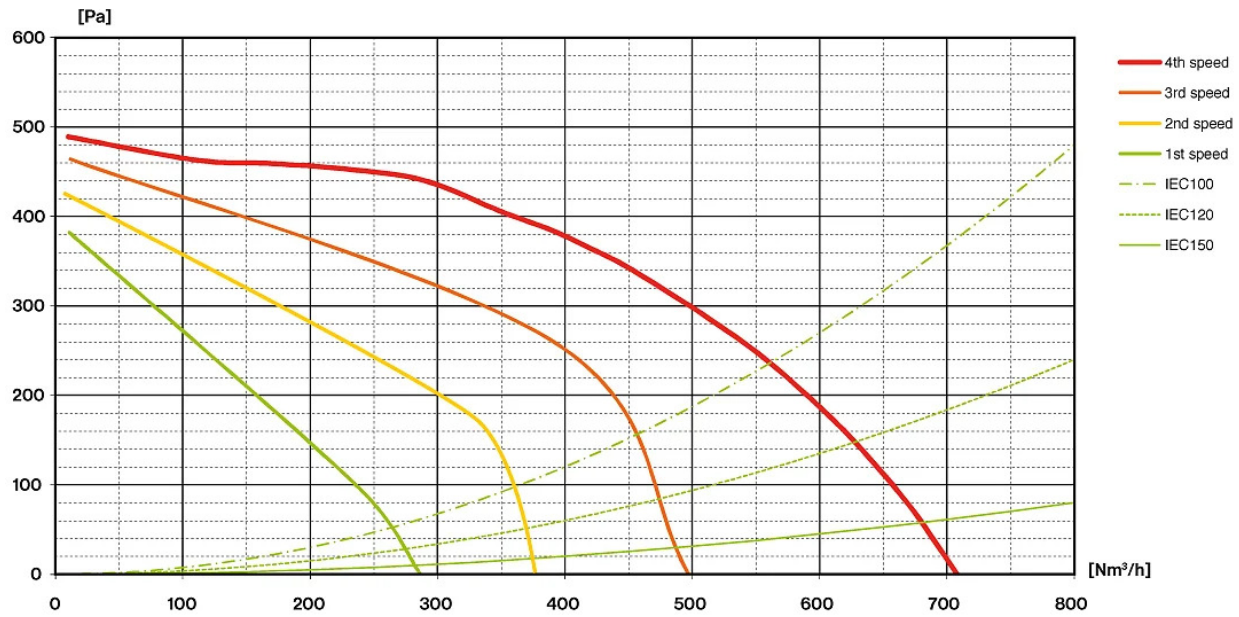
Optional accessories

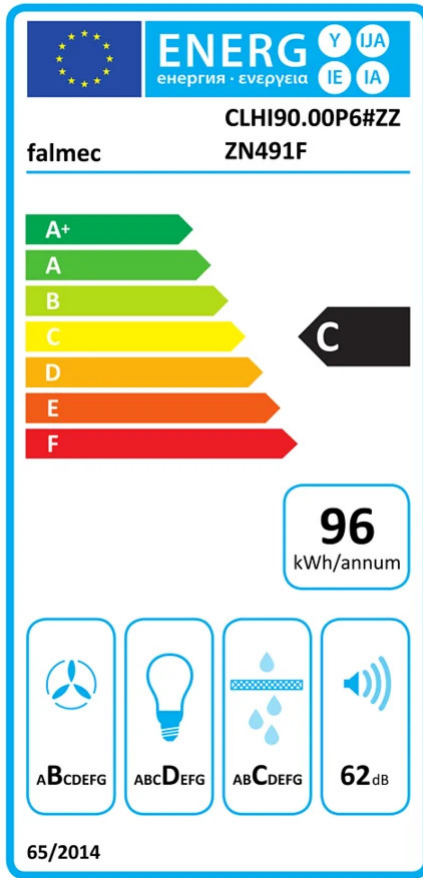
Code	Description
KACL.557#I	Extension chimney H1200 Island - Inox
KACL.866	Air flow conveyor for re-circulation versions (Island)
KACL.815	Protective cleaning cloths for stainless steel (box 10 pcs)

ENGINE SPECIFICATIONS

Motor speed	1	2	3	4
Noise dB(A) re1pW I.E.C. 60704-2-13	49	56	62	68
Capacity	280	370	480	680
Maximum pressure (Pa)	390	420	480	500
Motor power (W)	132	153	175	215
Air outlet	150	150	150	150

FLOW RATE / PRESSURE





PF		
S	Falmecc Lab	
M	Island - 90 cm - Black - 800 m3/h	
AEC	95.90	kWh/a
EEC	C	
FDE	26.30	
FDEC	B	
LE	12.30	
LEC	D	
GFE	80	
GFEC	C	
Qmin	280	m ³ /h
Qmax	480	m ³ /h
Qboost	680	m ³ /h
SPEmin	49	dBa
SPEmax	62	dBa
SPEboost	68	dBa
PO	0	W
PS	0.00	W
PI		
F	1.00	
EEL	76.00	
Qbep	382	m ³ /h
Pbep	384	Pa
Qboost	680	m ³ /h
Wbep	155	W
WL	46.00	W
Emiddle	568	lux
Lwa-SPEmax	62	dBa

PF_Scheda prodotto conforme a 65/2014 S_Supplier name / M_Model identification / AEC_Annual Energy Consumption (AEC hood) / EEC_Energy Efficiency class / FDE_Fluid Dynamic Efficiency (FDE hood) / FDEC_Fluid Dynamic Efficiency class / LE_Lighting Efficiency (LE hood) / LEC_Lighting Efficiency class / GFE_Grease Filtering Efficiency / GFEC_Grease Filtering Efficiency class / Qmin_Air flow (in m³/h) at min speed in normal use / Qmax_Air flow (in m³/h) at max speed in normal use / Qboost_Air flow (in m³/h) at intensive or boost setting (max air-flow) / SPEmin_Airborne acoustical A-weighted sound power emissions at min speed in normal use / SPEmax_Airborne acoustical A-weighted sound power emissions at max speed in normal use / SPEboost_Airborne acoustical A-weighted sound power emissions (in dB) at intensive or boost setting / P0_Power consumption in off mode (Po) / Ps_Power consumption in stand by mode (Ps).

PI_Additional information according to 66/2014 Calculation methods: EN 61591:2020 F_Time increase factor / EEL_Energy Efficiency Index / Qbep_Measured air flow rate at best efficiency point / Pbep_Measured air pressure at best efficiency point / Qboost_Maximum air flow / Wbep_Measured electric power input at best efficiency point / WL_Nominal power of the lighting system / Emiddle_Average illumination of the lighting system on the cooking surface / Lwa=SPEmax_Sound pressure level at the highest speed.